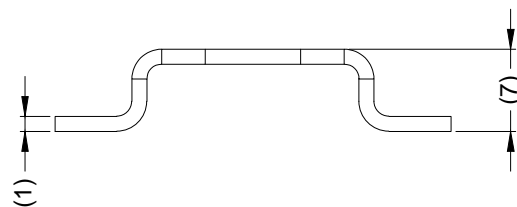
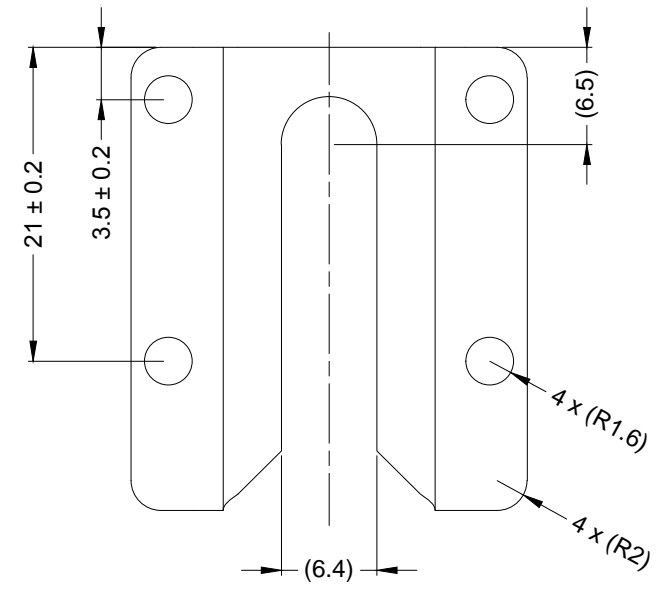
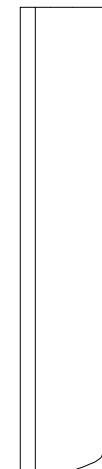
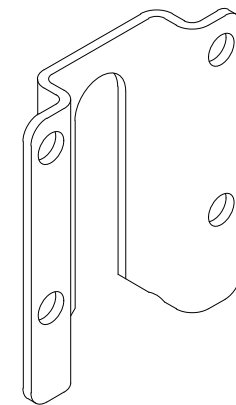
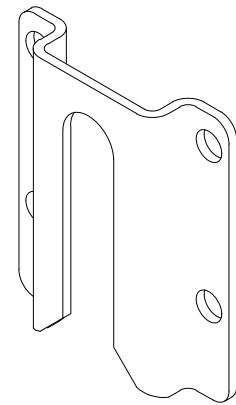
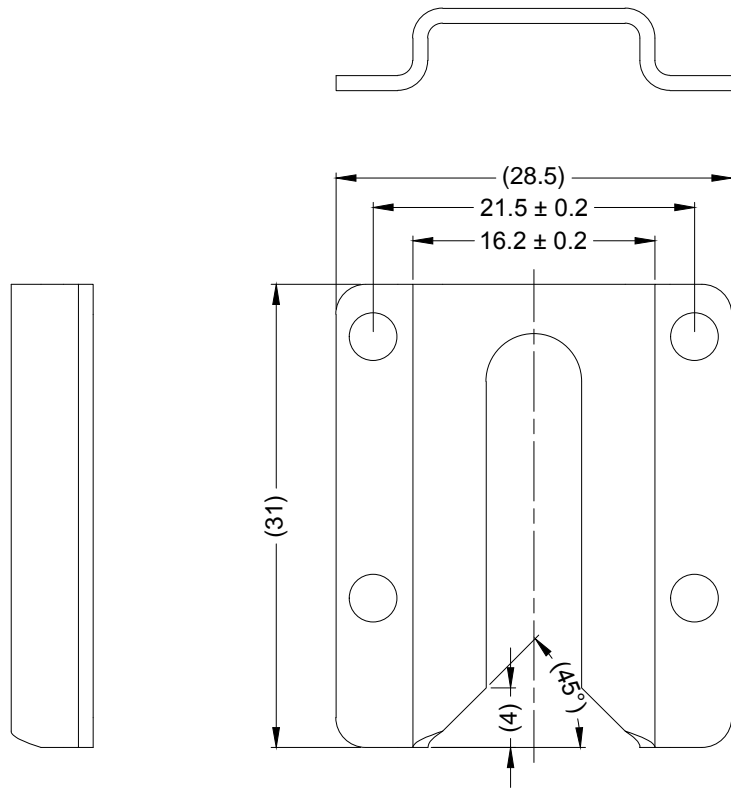


Revision Notes.				
R1 -				
APA: -	Drawn:-	Checked:-	Approved:-	Date: -



- NOTES:
1. MATERIAL: MILD STEEL
 2. COLOUR: RAL 9005 (JET BLACK)
 3. FINISH: TEXTURED
 4. ALL FOLDS TO BE 90°
 5. ALL FOLD EXTERNAL RADII TO BE 2mm
 6. ALL SHARP EDGES AND BURRS TO BE REMOVED
 7. FOR LABELS AND PACKAGING REFER TO MASTER BOM

PROPRIETARY NOTICE
 THIS DESIGN AND TECHNICAL INFORMATION APPEARING ON THIS DRAWING IS THE PROPERTY OF BRIGADE ELECTRONICS, AND IS DISCLOSED IN CONFIDENCE. IT IS NOT TO BE COPIED, REPRODUCED, REVEALED TO OR EXPROPRIATED BY OTHERS, EITHER IN WHOLE OR IN PART WITHOUT THE EXPRESS WRITTEN CONSENT OF BRIGADE ELECTRONICS.



Assembly PI Approval P. DOBRÓWOLSKI	Approved by B.CHILDS	Checked by R.PENTLEY	Drawn by D. RICHARDSON
Angle of Projection 	Units mm	Scale N/A	Released 20/10/17
Status RELEASED		Assembly Ref BKT-020	
Part No 5367		BE-003596-00-17	